

# INSTALLATION INSTRUCTIONS

Model: **3249-12 or 3249-16**

**12 and 16 foot Outside Diameter Bracci Basin**

Date: 11/29/2007



Note: This is a sectional basin which consists of: 10 x 3249 (12x -L) + 10 x 3249-T (12x L) (3249-16)

The Bracci Basin is not a self-contained water feature. The recommended KP pump (2400 GPH) with filtration system is positioned outside the diameter of the basin. The fountain's water supply must be prepared using 1½" PVC from the planned center of the basin down 18" and out to the pump site where it should resurface. The return from basin to the pump is spotted centered between the absolute center of the basin and the interior wall of the basin. (See Fig. 1)

The entire area, 3249-12 minimum 14' and 3249-16 minimum 18' should be excavated to a minimum 6" below surface and any additional plumbing, such as a drain and/or submersible lights should be placed inside the foundations perimeter.

(Keep 3' radius from center feed clear for fountain)

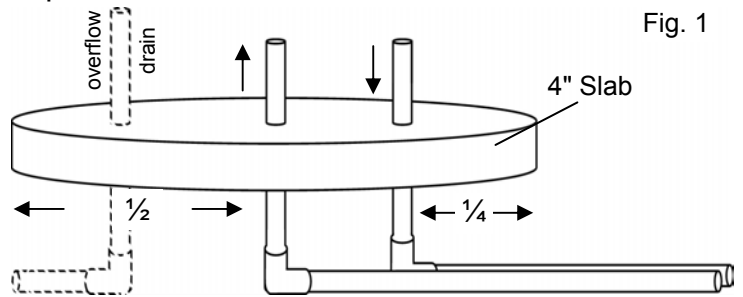


Fig. 1

Fill and level the entire area with sand approximately 2 inches. Using 4" bender board, stake a 13' (3249-12) or 17' (3249-16) diameter to create a concrete slab cast. Place ½" rebar 1' off center and raise 2" from sand using concrete blocks. Pour and finish a 4" concrete slab. Cure slab for 7 days.

Place and space each of the Bracci Basin components 3249 (-L) and 3249-T(L). Note that when placing the bases, the caps 3249-T(L) are placed with an off center overlap. Remove caps 3249-T(L) and mark the location of the holes cast in each base component (4 x10) to anchor the basin to the the concrete foundation (see Fig. 2). Remove all base components and drill ¾" holes (a) approximately 2" deep at all previously marked spots. Remove dust and debris, apply epoxy to the four holes (a), and lay mortar inside the footprint of the first base component. Set first base component and place rebar in the holes filled with epoxy. Each base component requires 4 pieces of ½" rebar (b) approximately 12" long (not included). Using the exact same spacing during the dry set-up, place each component moving left to right (see number sequence in figure 2). This to ensure mortar remains fresh during the placement of each section. Tape and fill seams between each section and fill all four holes with mortar to secure rebar pieces.

Mortar each 3249-T(L) with an off center overlap to the bases in the sequence shown in the figure below maintaining the same spacing as was used during the dry set-up.

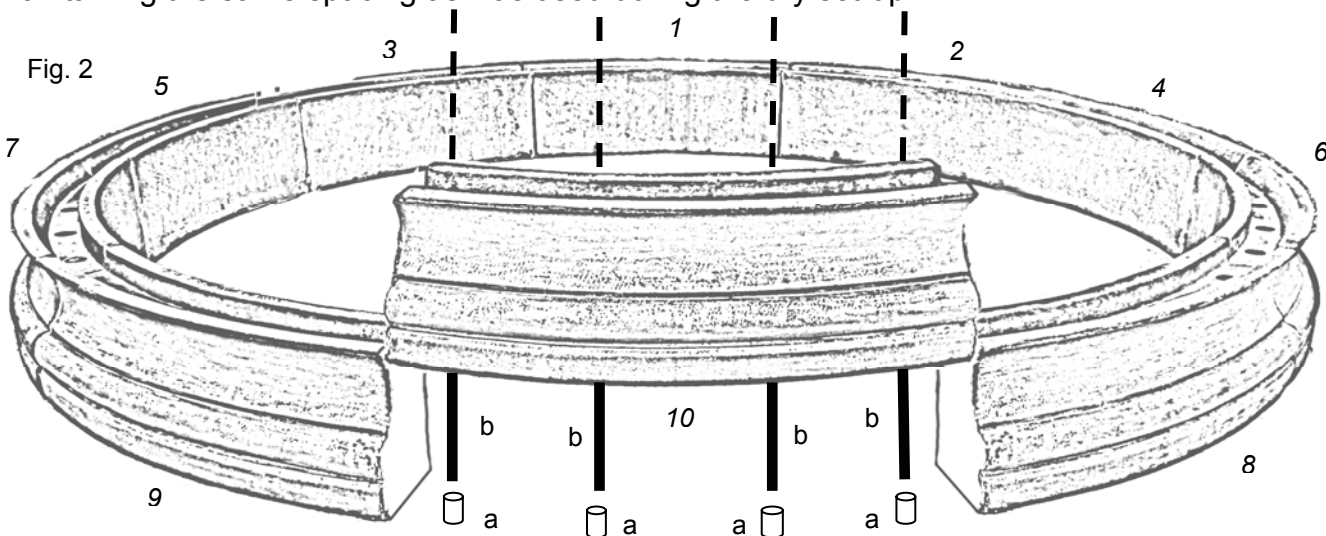


Fig. 2

QUALITY SET IN STONE

